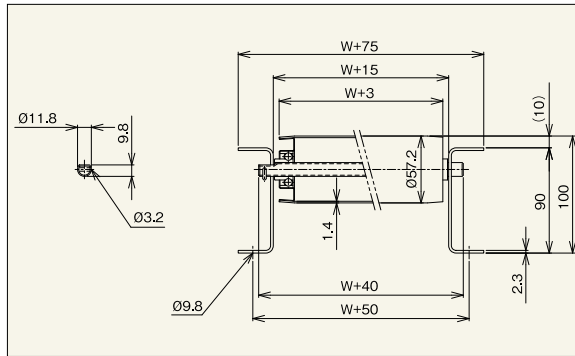


R-5714PD

Compatible with R-5714P Free Size Idler



*The connector plate is an optional extra.



[Intended Application]
Conveying light to medium loads
[Product Characteristics]
1) Idler diameter is $\phi 57.2$, idler pitch is min. P75.
2) Idler width (nominal) is 100W-1,000W in standard increments of 50mm. Free sizes are also possible.
3) Pressed bearing, low-cost
4) [90 standard frame
Caution 1: Please indicate the connector plate (the connecting part between conveyors) separately when required.
Caution 2: If the idler pitch (P) is not cleanly divisible, then a suitable pitch (P) will be chosen.



Unit Width / Idler Strength / Standard Weight

Idler Width (Nominal) W (mm)	100	200	300	400	500	600	700	800	900	1,000
Unit Width W+75 (mm)	175	275	375	475	575	675	775	875	975	1,075
Strength of One Idler (kg)	175	168	147	109	87	72	62	54	48	43
Conveyor Standard	75P	33.8	42.8	51.9	61.1	70.1	78.2	87.4	96.8	106.0
	100P	29.4	36.3	43.2	50.2	57.1	62.9	70.1	77.2	84.3
Idler / Shaft Standard Weight (g)	437	654	870	1,087	1,304	1,521	1,737	1,956	2,172	2,391

Caution 1. Idler strength has been calculated using the standard specifications of our company's standard conveyors and shafts. Please take care if you are providing your own shafts or frame.
Caution 2. The strength changes according to the conditions of use (whether there is impact or not). The values given in the chart are approximate values, and are not guaranteed.

Idler Unit Specifications

Conveyor Model	Idler Unit Model	Idler Dimensions			Idler Width				Free Size	Idler Specifications			Bearing
		Outer Diameter (ϕ)	Wall Thickness (t)	Shaft Indent (ϕ)	Standard Idler Width (Nominal) W	Standard Full Idler Length BB	Possible Width			Material	Surface Treatment	Specifications	
R-5714PD	R-5714PD	57.2	1.4	12.2	100 - 1,000	W+13	50	1,500	Y	STKM11A-S	Molten zinc plating	Pressed	

Standard Shaft Specifications

Nominal Diameter (Actual Diameter) \times Thickness (ϕ)	Wall Thickness (t)	Shaft Length (mm)	Shape	Finish	Material	Plating
12 (11.8) \times 1.0	W+40	Pipe	Circular/Horizontal crescent pin hole	STKM11A	X	

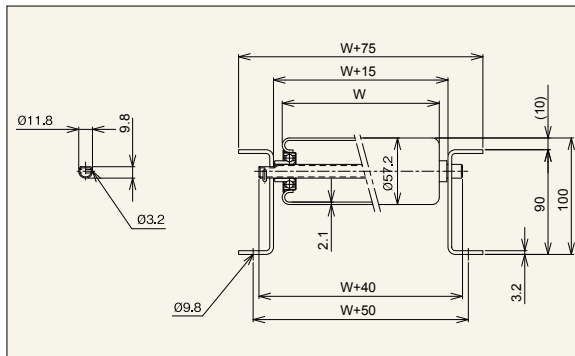
Idler Conveyor Specifications

Height x Width x Wall Thickness l x K x t	Material	Surface Treatment	Manufactured Range of Standard Heights				Standard Idler Pitch	Unit Height (Idler Upper Surface) H	
			Unit Length L						
[90 \times 30 \times 2.3	Steel	Baked-on coating	1,000	1,500	2,000	3,000	R900 Inner Curve	75 / 100 / 150 / 200	100

R-5721



*The connector plate is an optional extra.



[Intended Application]
Conveying medium loads
[Product Characteristics]
1) Idler diameter is $\phi 57.2$, wall thickness is t2.1, improved impact resistance, idler pitch is min. P75.
2) Idler width (nominal) is 100W-1,000W in standard increments of 50mm.
3) High quality with precision-machined bearing
4) [90 standard frame
Caution 1. Please indicate the connector plate (the connecting part between conveyors) separately when required.
Caution 2. If the idler pitch (P) is not cleanly divisible, then a suitable pitch (P) will be chosen.

Unit Width / Idler Strength / Standard Weight

Idler Width (Nominal) W (mm)	100	200	300	400	500	600	700	800	900	1,000
Unit Width W+75 (mm)	175	275	375	475	575	675	775	875	975	1,075
Strength of One Idler (kg)	180	170	150	110	90	75	65	55	50	45
Conveyor Standard	75P	40.0	52.3	65.6	78.4	91.3	103.0	116.0	129.0	142.0
	100P	35.5	45.2	54.9	64.6	74.4	83.0	92.9	102.8	112.7
Idler / Shaft Standard Weight (g)	452	762	1,071	1,381	1,691	2,001	2,309	2,621	2,930	3,242

Caution 1. Idler strength has been calculated using the standard specifications of our company's standard conveyors and shafts. Please take care if you are providing your own shafts or frame.
Caution 2. The strength changes according to the conditions of use (whether there is impact or not). The values given in the chart are approximate values, and are not guaranteed.

Idler Unit Specifications

Conveyor Model	Idler Unit Model	Idler Dimensions			Idler Width				Free Size	Idler Specifications			Bearing
		Outer Diameter (ϕ)	Wall Thickness (t)	Shaft Indent (ϕ)	Standard Idler Width (Nominal) W	Standard Full Idler Length BB	Possible Width			Material	Surface Treatment	Specifications	
R-5721	R-5721	57.2	2.1	12.2	100 - 1,000	W+13	100	1,000	50mm Increm.	STKM	Molten zinc plating	Precision-machined	

Standard Shaft Specifications

Nominal Diameter (Actual Diameter) \times Thickness (ϕ)	Wall Thickness (t)	Shaft Length (mm)	Shape	Finish	Material	Plating
12 (11.8) \times 1.0	W+40	Pipe	Circular/Horizontal crescent pin hole	STKM11A	X	

Idler Conveyor Specifications

Height x Width x Wall Thickness l x K x t	Material	Surface Treatment	Manufactured Range of Standard Lengths				Standard Idler Pitch	Unit Height (Idler Upper Surface) H	
			Unit Length L						
[90 \times 30 \times 3.2	Steel	Baked-on coating	1,000	1,500	2,000	3,000	R900 Inner Curve	75 / 100 / 150 / 200	100